

目 录

.....	3
.....	3
.....	4
.....	8
.....	9
.....	17
.....	20
.....	22
.....	24
.....	26
1 3	26
4 6	29

6%

0.125 0.044

120

325 /

1 2

1

		4R3216B	5R4119A	6R4528
		320	406	450
		160	189	280
		4	5	6
		970	1270	1600
	/	130	103	82
		20	20	30
	/	19000	43000	58000
		2697	2697	6860
		0.125 0.044	0.125 0.044	0.125 0.044
	/	1 3	2 6	6 25
		8200	10500	17800
		5800	6500	9700
		10580	13530	10500
		15.7	25.6	42.8

2

			4R3216B	5R4119A	6R4528
		/	Y225S—4 37 1480	Y280S—4 75 1480	Y315M—4 132 1485
		/	JZT ₂ 42—4 5.5 1250~125	JZT ₂ 51—4 7.5 1250~125	JZT ₂ 61—4 15 1250~125
		/	Y100L ₂ —4 3 1420	Y100L ₂ —4 3 1420	Y132M—4 7.5 1450
		/	Y200L—4 30 1470	Y250M—4 75 1480	Y315M—4 132 1485
		/	Y180L—6 15 970	Y180L—6 15 970	Y200L ₂ —6 22 970
			250×400	250×400	250×750
			GZ1F 60	GZ2F 150	GZ3F 250

1

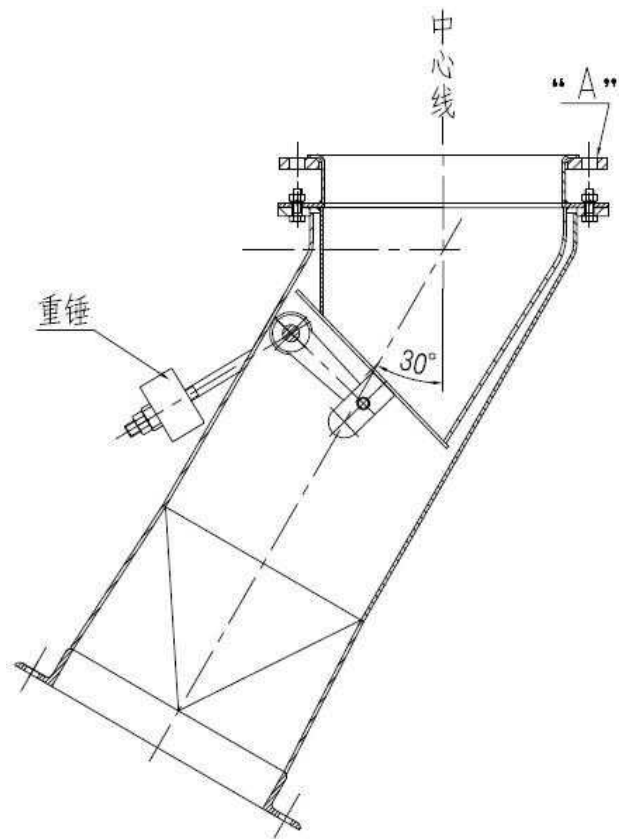


图1 锁气器

A

1

2

3

99%

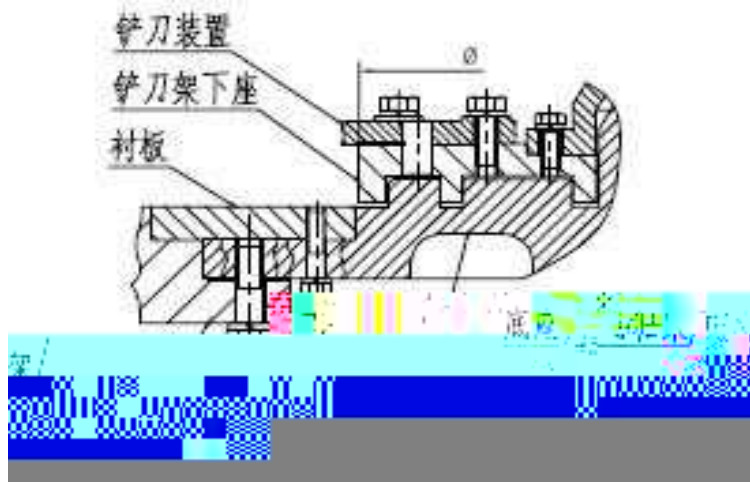
4

5

6

7

2



4

1

30KW

30KW

4R 5R 6R

4R 5R 6R

10

2

1

R2

e

5

JZT2

1

(ZLK-1)

2

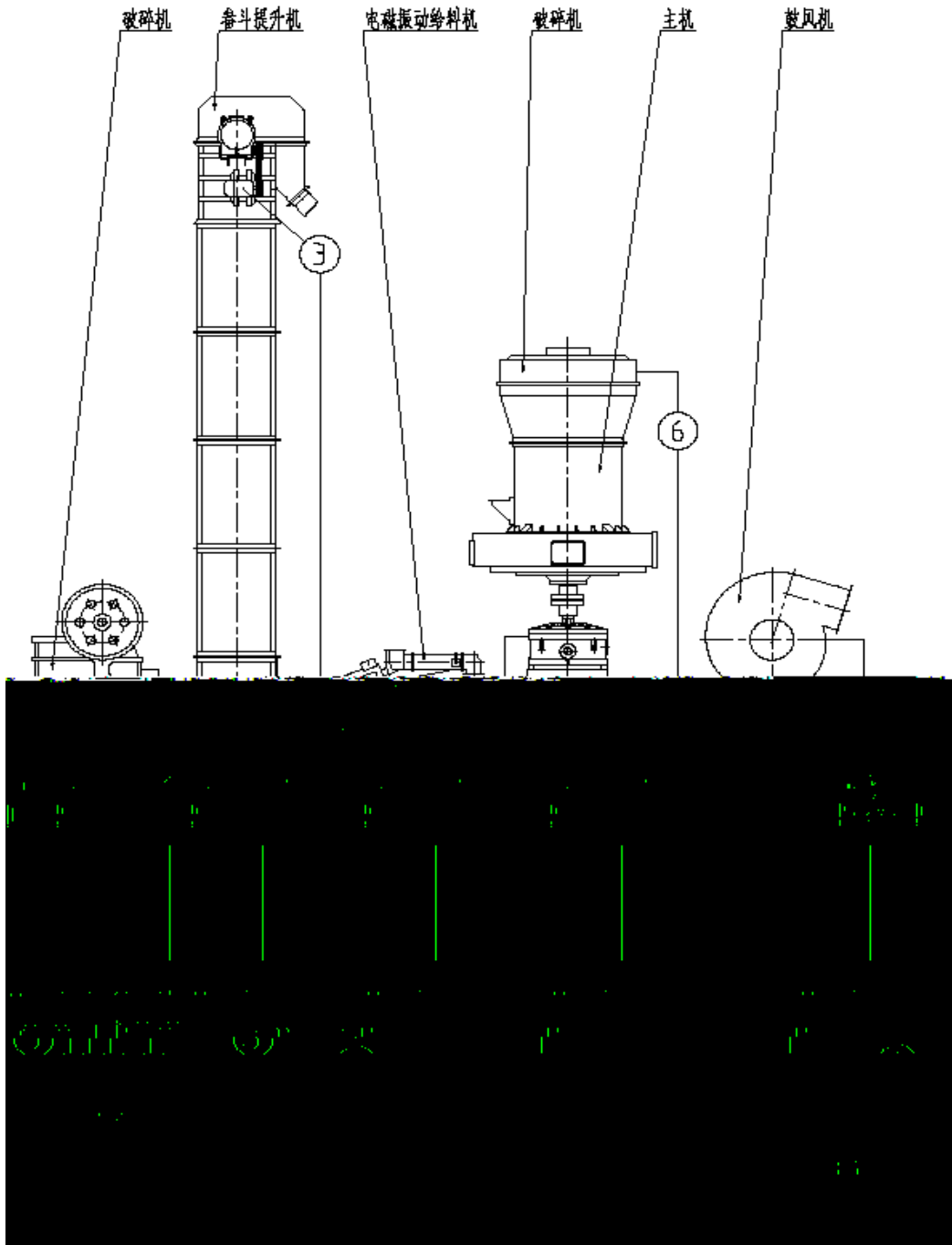
6

4

4

--	--	--	--

9



5

1

2 220V

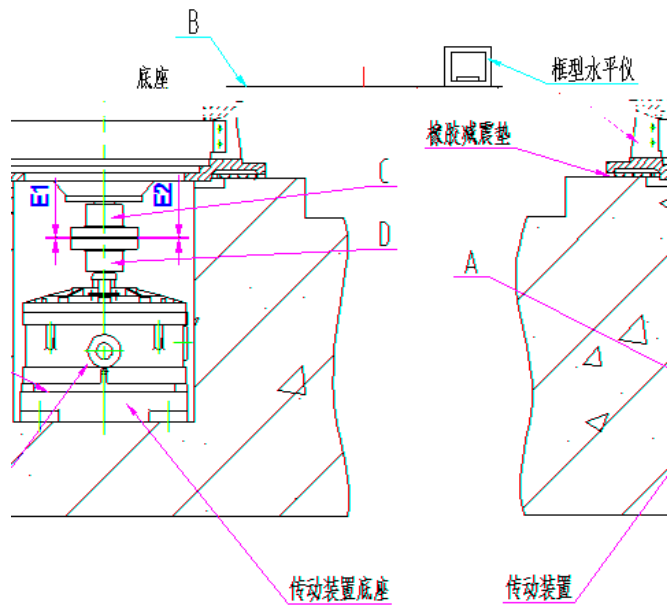
7	6R	5U ₁ 5V ₁ 5W ₁ 5U ₂ 5V ₂ 5W ₂ 5U ₃ 5V ₃ 5W ₃	70	6	
	5R	5U ₁ 5V ₁ 5W ₁ 5U ₂ 5V ₂ 5W ₂ 5U ₃ 5V ₃ 5W ₃	25		
	4R	5U ₁ 5V ₁ 5W ₁ 5U ₂ 5V ₂ 5W ₂	10		
6	6R	2U ₁ 2V ₁ 2W ₁ F ₁ F ₂ V ₁₁ V ₂₁ V ₃₁	6+2.5	3+5	
	5R		4+2.5		
	4R		2.5	8	
5	6R	1U ₁ 1V ₁ 1W ₁ 1U ₂ 1V ₂ 1W ₂ 1U ₃ 1V ₃ 1W ₃	70	6	

7

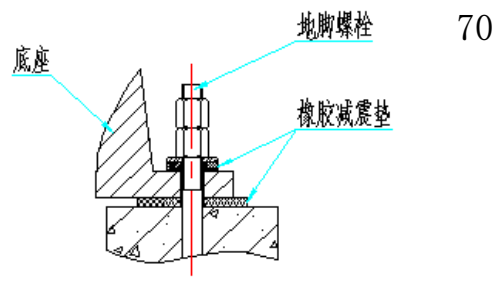
5	C	D	0.30
6		E1~E2	5 8
7	E1	E2	0.1
8			;
A		NS7=3	
		NS10=4	
B			0.30
		NS7=0.1	
		NS10=0.15	

9

10



1			
1	8		
2		1	
3			
4			80
6			
40			
5			
6			
35			
2			
1			
2	8		
3			
4		80	40
7			
5			
6			



7

0.044 0.125

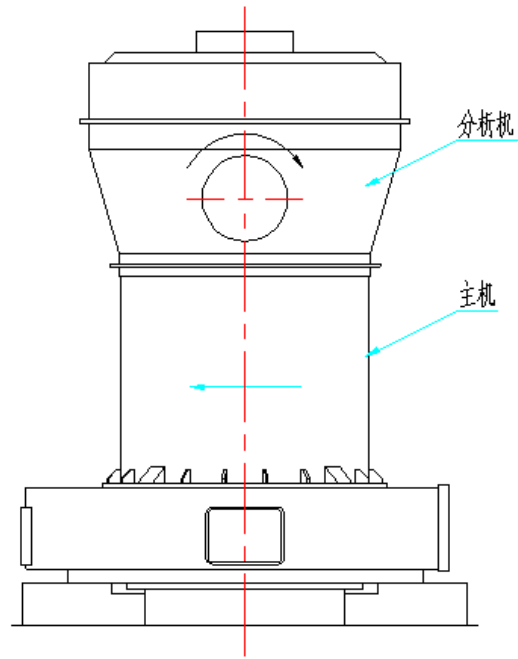
8

1

2

3

4



8

8

9

10

11

1

2

3

4

5

6

1

2

3

3

15%

4

5

500

	5	5
1	1 2 3 4 5 6	1 2 3 4 5 6
2	1	1 2
3	1 2	1 2 6%

5

4	1 2 3 4 5 6 7 8	1 2 3 4 5 6 7 8
5	1 2 3	1 2 3
6	1 2	1 2
7	1 2	1 2
8		

1

4R3216

8710ANDFBYTYDAS410A6BC20R98Y2B1E

1	GB301-84	8328 140×240×80	1	
2	GB286-64	3522 110×200×53	1	
3	GB283-87	2228 140×250×42	1	
4	GB297-84	7622 110×240×84	2	
5	GB297-84	7618 90×190×67	2	
6	GB286-64	3616 80×170×50	4	
7	GB297-84	7612 60×130×48	4	
8	GB281-87	111311 50×120×29	1	

2

5R4119

1	GB301-64	8332 160×270×87	1	
2	GB286-64	3526 130×230×64	1	
3	GB283-64	2234 170×310		

3

6R4528

1	GB301-64	51338 190×320×105	1	
2	GB288-64	22234 170×230×86	1	
3	GB288-64	23048 240×360×92	1	
4	GB297-64	30320 100× 215× 47	2	
5	GB297-64	30315 75× 160× 37	2	
6	GB297-64	30317 85× 180× 41	2	
7	GB297-64	32944 220× 300× 51	2	
8	GB286-64	22326 130×280×93		

4

4R3216

1	K4804. 1. 2A-3		12	6	40 104
2	K4804. 1-5A		2	HT120	
3	K4804. 1. 4-1		8	ZG270-500	
4	K4803. 1. 4. 1		8		
5	K4804. 1. 6C		4		
6	K4804. 1. 6-3A		28	ZGMn13	
7	HG4-692-67		8		105 130 14
8	K4804. 1. 6B-4		16		
9	K4804. 1. 6-5B		8	20	
10	K4804. 1. 6-6		4	45	
11	K4804. 1. 6-8		4	45	
12	K4804. 1. 6-10B		24		
13	K4804. 1. 6-16		4	45	
14	K4804. 1. 6-17B		4	Q235	
15	K4804. 1. 6-20		4	ZG230-450	
16	K4804. 1. 6-23B		4	Q235	
17	K4804. 1-7		1	QT500-7	
18	K4804. 1-17B		2	ZGMn13	
19	K4804. 4. 5A		52		
20	HG4-692-67		1		100 140 14
21	HG4-692-67		2		150 180 15
22	HG4-692-67		1		40 62 12

4 6

1

5

5R4119

1	K4805.1-6		2	HT120	
2	GB5014.7-4		12	6	30 105
3	GB5014.10-4		12	6	60 140
4	K4805.1.3.1B		10		
5	K4805.1.3-2A		10	ZG270-500	
6	K4805.1.6B		5		
7	K4805.1.6-3B		35	ZGMn13	
8	K4805.1.6A-4		20		
9	K4805.1.6B-5		5	QT500-2	
10	K4805.1.6B-7		5	45	
11	K4805.1.6A-13		5	Q235	
12	HC4-692-67		10		160 190 16
13	K4805.1.6B-16		5	45	
14	K4805.1.6-18		10		
15	K4805.1.6B-19		5	Q235	
16	K4805.1.6-20		10	20	
17	K4805.1.6-23		5	Q235	
18	K4805.1-7		1	QT500-7	
19	K4805.1-17B		2	ZGMn13	
20	K4804.4.5A		60		4R

1

130 160 15

6

6R4528

1	K4806.1-6		2	HT120	
2	GB5014.7-4		12	6	35 90
3	GB5014.10-4		12	6	56 120
4	K4806.1.3.1		12		
5	K4806.1.3-2		12	ZG270-500	
6	K4806.1.6		6		
7	K4806.1.6-3		42	ZGMn13	
8	K4806.1.6-4		24		
9	K4806.1.6-5		6	QT500-2	
10	K4806.1.6-7		6	45	
11	K4806.1.6-13		6	Q235	
12	HG4-692-67		12		140 170 15
13	K4806.1.6-16		6	45	
14	K4806.1.6-18		12		
15	K4806.1.6-19		6	Q235	
16	K4806.1.6-20		12	20	
17	K4806.1.6-23		6	Q235	
20	K4806.1-7		1	QT500-7	
18	K4806.1-17		2	ZGMn13	
19			60		
21	HG4-692-67		2		240 270 15
22	HG4-692-67		1		65 90 10

1		400		1
2	500		600 1000	
3				
4				

)

(

Shanghai Hengyuan Metallurgy (Mine)

Equipment Co., Ltd.
