



" "

" "



PE X

4-6

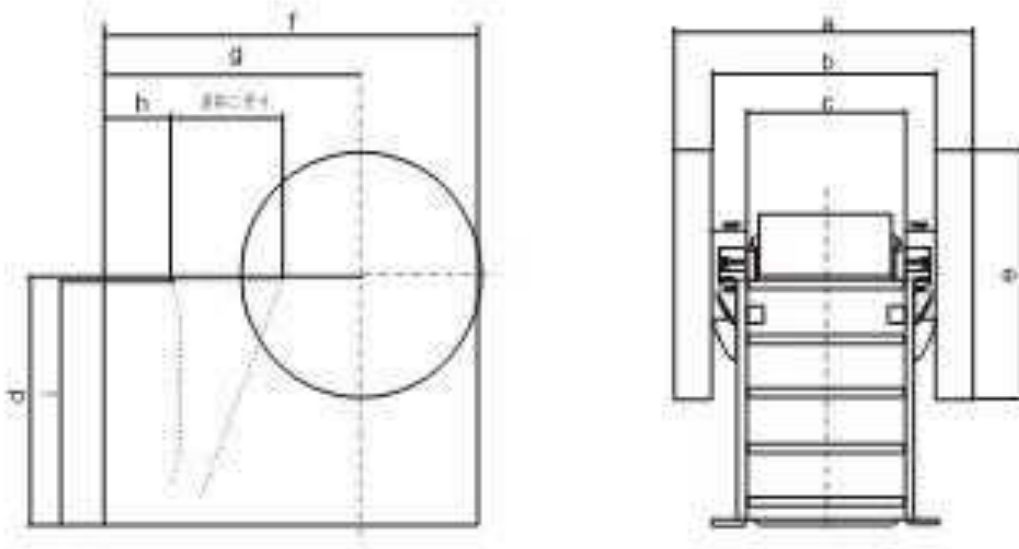
320



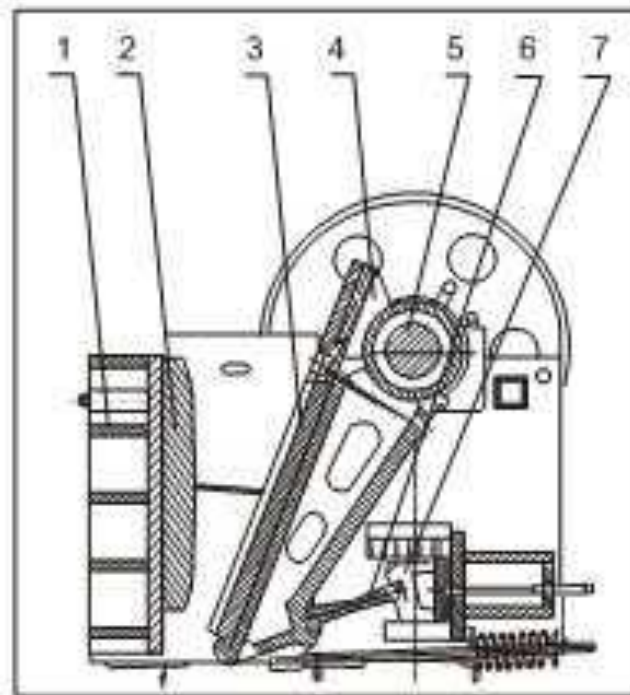
	mm	mm	mm	t/h	r/min	kw	t	mm
PE-150×250	150×250	130	10-40	1-5	300	5.5	0.81	875×758×850
PE-250×400	250×400	210	20-80	5-20	300	15	2.8	1450×1315×1296
PE-250×500	250×500	210	20-80	9-50	300	18.5	3.36	1330×1300×1256
PE-400×600	400×600	340	40-100	16-65	275	30	6.5	1565×1732×1586
PE-500×750	500×750	425	50-100	50-100	275	55	10.3	1890×1916×1870
PE-600×900	600×900	500	65-160	50-120	250	55/75	15.5	2305×1840×2260
PE-750×1060	750×1060	630	80-140	115-208	250	110	28	2450×2472×2840
PE-800×1060	800×1060	650	100-200	136-230	250	110	30	2610×2472×2840
PE-870×1060	870×1060	670	200-260	288-336	250	110	30.5	2660×2472×2840
PE-900×1200	900×1200	750	100-200	144-304	200	132	50	3335×3182×3025
PE-1000×1200	1000×1200	850	195-265	315-342	200	132	51	3435×3182×3025
PE-1200×1500	1200×1500	1020	150-300	400-800	180	220	84.9	4200×3732×3840
PE-1500×1800	1500×1800	1200	220-350	150-1000	180	355	122	5160×4060×4248
PEX-250×1000	250×1000	210	25-60	16-52	330	30/37	6.5	1530×1992×1380
PEX-250×1200	250×1200	210	25-60	20-60	330	37	7.7	1900×2192×1430
PEX-300×1300	300×1300	250	20-90	20-85	330	55/75	11	1750×2320×1720
PEX-350×750	350×750	300	15-80	30-52	300	30	6.8	1580×1880×1430



外形尺寸



结构图



- | | | | | | | |
|---|---|---|---|----|----|--|
| | 1 | 2 | 3 | 4 | 5 | |
| 6 | 7 | 8 | 9 | 10 | 11 | |

;

4

a

15

0.15mm

80-100

0.05mm

50%-70%

b

(

);

50%-70%

0.2-0.4mm

c

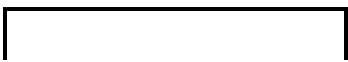
1mm

50%-70%

d

190N.M

()



10

2

- a. 2 30
- b.
- c.
- d.
- e.

- a.
 - b.
- 8 30

30

70

70

--

	<ol style="list-style-type: none"> 1. 2. 	<ol style="list-style-type: none"> 1. 2.
	<ol style="list-style-type: none"> 1. 2. 3. 4. 	<ol style="list-style-type: none"> 1. 2. 3.
	<ol style="list-style-type: none"> 1. 2. 	
		,
	<ol style="list-style-type: none"> 1. 2. 3. 4. 	<ol style="list-style-type: none"> 1. 2. 3. 4.
	<ol style="list-style-type: none"> 1. 2. 3. 	<ol style="list-style-type: none"> 1. 2. 3.

